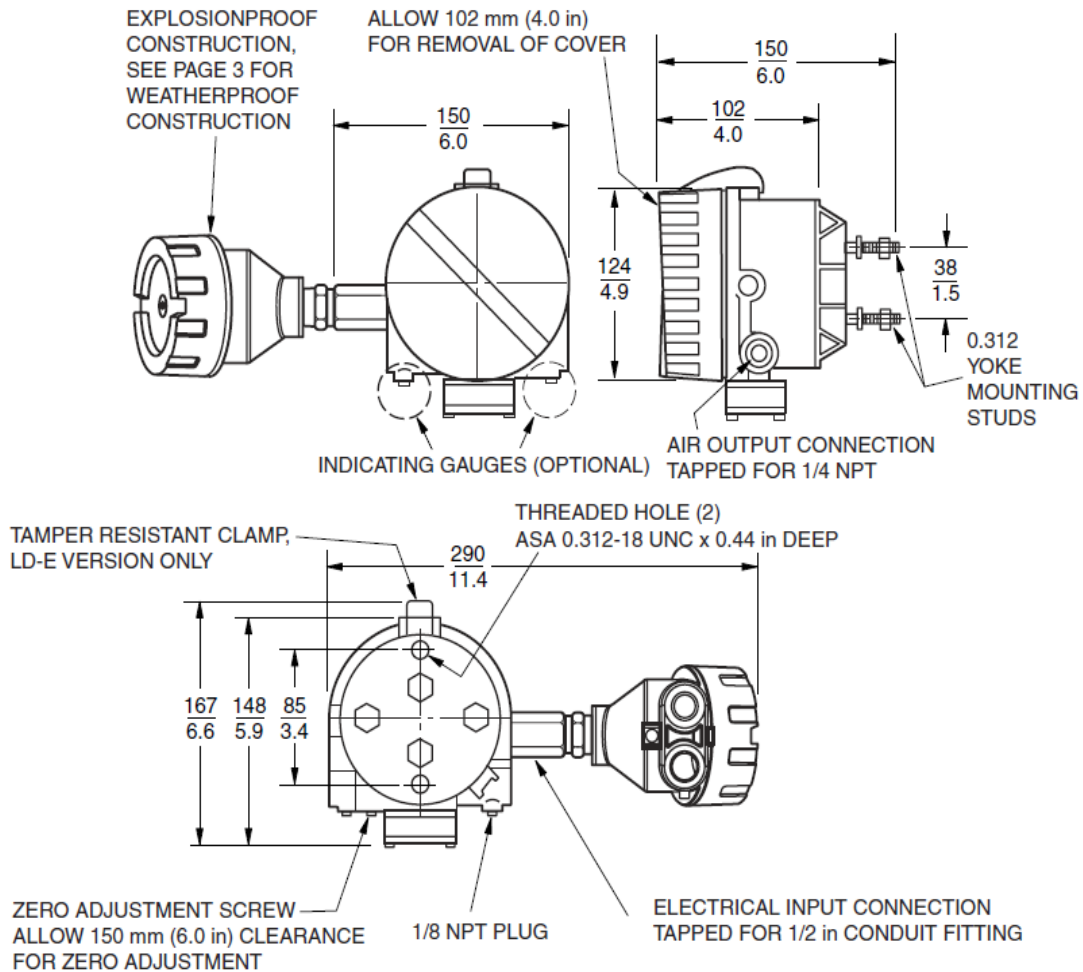
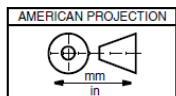


E69F Current-to-Pneumatic Converter

Dimensional Print



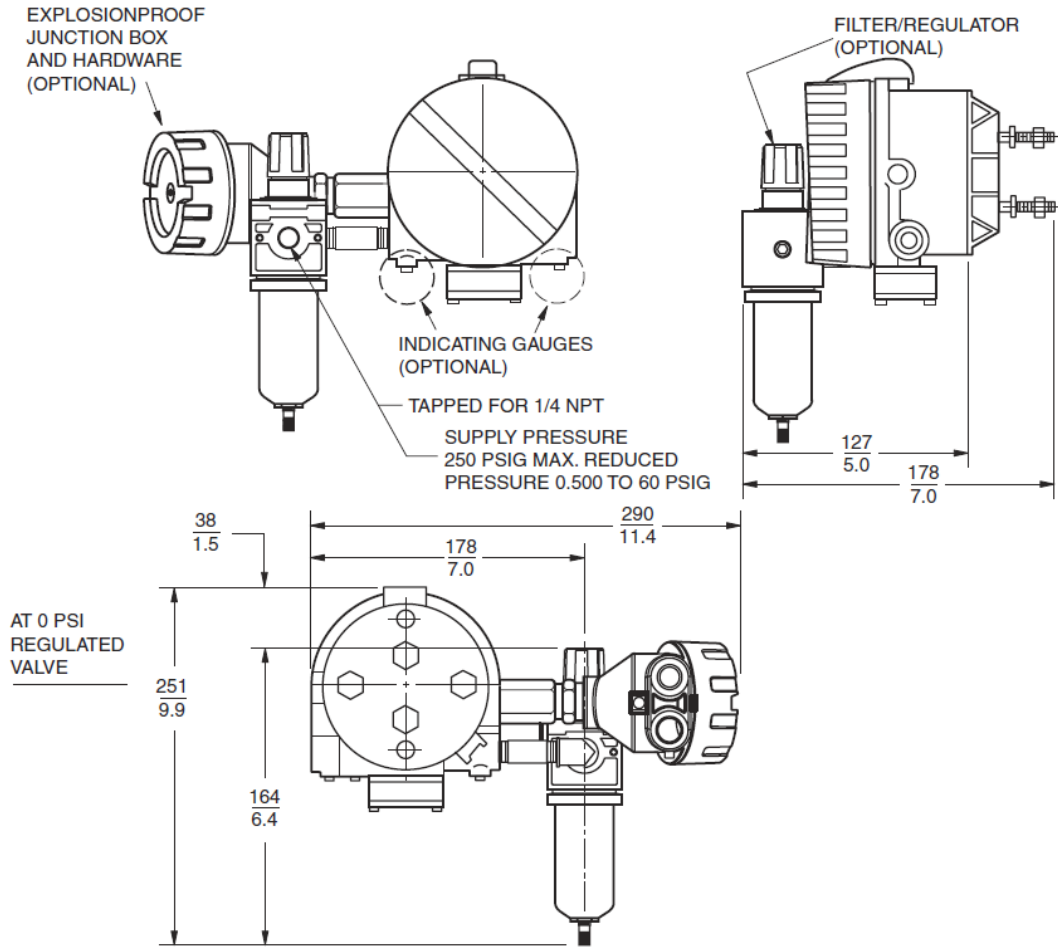
NOTE: REFER TO PAGE 2 FOR E69F WITH OPTIONAL FILTER REGULATOR.
REFER TO PAGE 3 FOR E69F WITH OPTIONAL MINIATURE JUNCTION BOX.



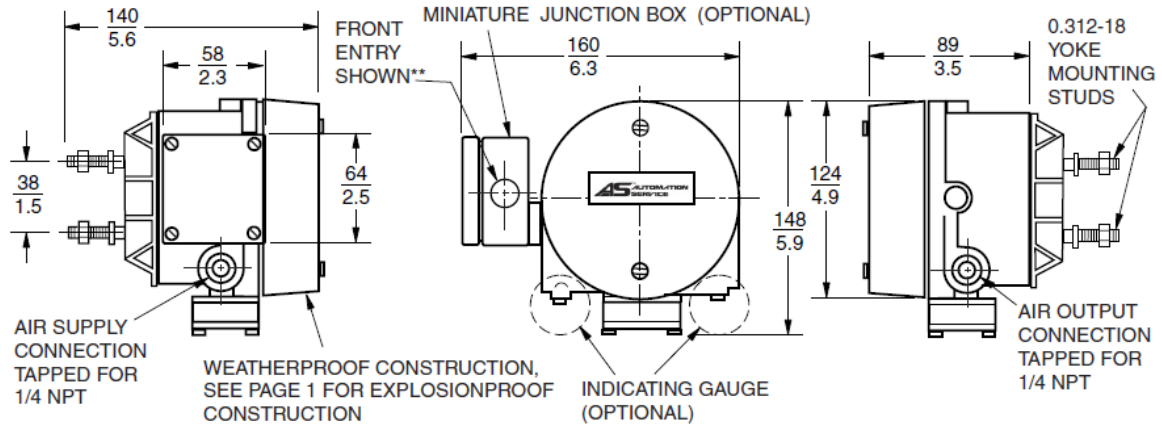
DP 018-430-AS
03.25.21

www.AutomationService.com

E69F With Optional Filter Regulator



E69F With Optional Miniature Junction Box



****CONNECTION OPTIONS**

- 1/2 NPT CONDUIT, FRONT ENTRY
- 1/2 NPT CONDUIT, REAR ENTRY

CODE

- M
- P

AS REFERENCE

- | | |
|-------------------------------|------|
| PG11 CABLE, FRONT ENTRY | MB-A |
| PG11 CABLE, REAR ENTRY | MB-D |
| PG13.5 CABLE, FRONT ENTRY | MB-B |
| PG13.5 CABLE, REAR ENTRY | MB-E |
| M20 THREADED HOLE, FRONT ENTR | MB-C |
| M20 THREADED HOLE, REAR ENTRY | MB-F |

NOTES

OTHER AUTOMATION SERVICE PRODUCTS

Automation Service offers a broad range of new and remanufactured process instrumentation and control valves. To view these products, visit our website at:

www.AutomationService.com



(c) 2021 Automation Service, All Rights Reserved

Customer Support:
1-800-325-4808
CSR@AutomationService.com
www.AutomationService.com

Automation Service
13871 Parks Steed Drive
Earth City, MO 63045 USA